

Data Sheet

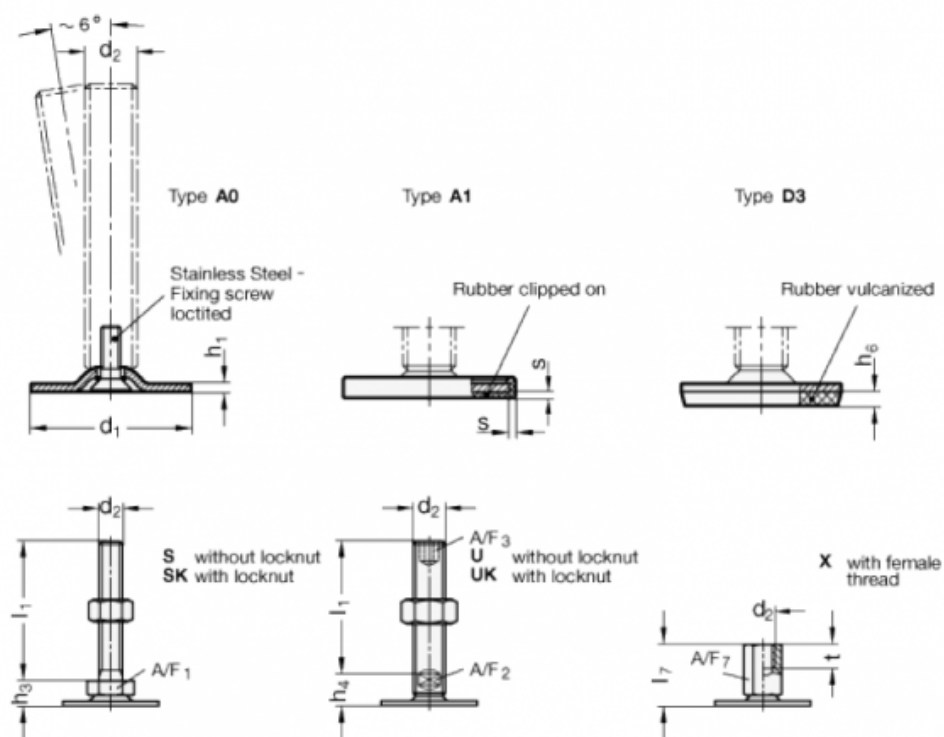


Article number: 204050M825A1X

Description: E+G levelling foot
GN 40-50-M8-25-A1-X

Note: X With female thread, External hexagon

Measures



A/F7	=	14
d1	=	50
d2	=	M8
h1	=	2.5
h6	=	
l7	=	25
s	=	2
t	=	8